

Ready to use.

Over 1,000 composite push-in pneumatic fittings.

Releasable stainless-steel grab-ring to grip nylon or polyurethane tube (85 or 95 durometer).

Nickel plated brass components.

Pre applied thread sealant on all taper threads and recessed captive O-ring on parallel threads.

Internal and external hexagons on straight fittings.

Immediate quality sealing using silicone free U-packing.

Mounting holes on all union fittings.

Introducing Miniature Pneufit M an ultra compact alternative where space is at a premium.



Technical data

Medium

Compressed air
 Operating pressure
 29.5" Hg vacuum up to 150 psi
 Temperature
 32°F to 140°F

Materials

Body: PBT
 Seals: NBR (silicone free)
 u-packaging and O-rings
 Threaded bodies: nickel plated zinc
 Release sleeve and backing ring: POM
 Grab-ring: stainless steel
 Collar: nickel plated brass
 Thread sealant: Chemiseal G 175

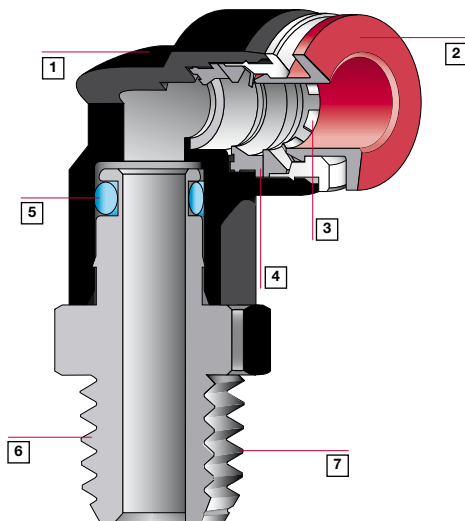
Tube sizes

Standard sizes: 5/32", 3/16", 1/4", 5/16", 3/8" and 1/2"
 Miniature sizes: 1/8", 1/4", 5/32"
 Thread sizes
 Standard sizes: 10-32 UNF, 1/8", 1/4", 3/8 and 1/2" NPT and ISO R
 Miniature sizes: 10-32 UNF, 1/16" and 1/8" NPT

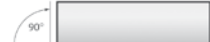

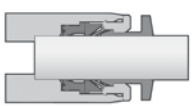
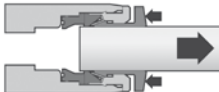
Tube types

Nylon 11 or 12
 Polyurethane 85 or 95 durometer

- 1** Impact resistant PBT body in black for Pneufit® C and light gray for Pneufit® M.
- 2** Release buttons are red for metric, grey for inch, and light grey oval for Pneufit® M.
- 3** Stainless steel grab ring with special design to retain softer tube and provide easy releasability.
- 4** Silicon free U-packing provides leak tight tube seal under side loading.
- 5** Stem seal provides leak tight 360° swivel connection.
- 6** Nickel plated brass threads and notches on hex to signify NPT.
- 7** Pre-applied thread sealant on tapered threads and recessed captive O-ring on parallel threads.



Method of assembly

- 1.** Ensure that the end tube is cut square and is free from burrs. 
- 2.** Push the tube through the release ring button and grab ring into the fitting. 
- 3.** Push the tube firmly through the 'O' ring until it bottoms on the tube stop, then pull back. 
- 4.** To disconnect, push the tube into the fitting, hold down the release button and withdraw the tube. 

**Straight adapter
(external + internal hex)**

O/D tube	Thread	Part number
5/32"	10-32 UNF	C24250210
5/32"	1/8" NPT	C24250218
5/32"	1/4" NPT	C24250228
5/32"	3/8" NPT	C24250238
5/32"	1/8" R	C01250418
5/32"	1/4" R	C01250428
3/16"	10-32 UNF	C24250310
3/16"	1/8" NPT	C24250318
3/16"	1/4" NPT	C24250328
3/16"	3/8" NPT	C24250338
1/4"	10-32 UNF	C24250410
1/4"	1/8" NPT	C24250418
1/4"	1/4" NPT	C24250428
1/4"	3/8" NPT	C24250438
1/4"	1/2" NPT	C24250448
1/4"	1/8" R	C21250418
1/4"	1/4" R	C21250428
1/4"	3/8" R	C21250438
5/16"	1/8" NPT	C24250518
5/16"	1/4" NPT	C24250528
5/16"	3/8" NPT	C24250538
5/16"	1/2" NPT	C24250548
5/16"	1/8" R	C01250818
5/16"	1/4" R	C01250828
5/16"	3/8" R	C01250838
5/16"	1/2" R	C01250848
3/8"	1/8" NPT	C24250618
3/8"	1/4" NPT	C24250628
3/8"	3/8" NPT	C24250638
3/8"	1/2" NPT	C24250648
3/8"	1/4" R	C21250628
3/8"	3/8" R	C21250638
3/8"	1/2" R	C21250648
1/2"	1/8" NPT	C24250718
1/2"	1/4" NPT	C24250728
1/2"	3/8" NPT	C24250738
1/2"	1/2" NPT	C24250748
1/2"	1/2" R	C21250748


**Straight adapter
(internal hex only)**

O/D tube	Thread	Part number
5/32"	10-32 UNF	C242A0210
5/32"	1/8" NPT	C242A0218
5/32"	1/4" NPT	C242A0228
3/16"	10-32 UNF	C242A0310
3/16"	1/8" NPT	C242A0318
3/16"	1/4" NPT	C242A0328
1/4"	10-32 UNF	C242A0410
1/4"	1/8" NPT	C242A0418
1/4"	1/4" NPT	C242A0428
5/16"	1/8" NPT	C242A0518
5/16"	1/4" NPT	C242A0528
5/16"	3/8" NPT	C242A0538
3/8"	1/8" NPT	C242A0618
3/8"	1/4" NPT	C242A0628
3/8"	3/8" NPT	C242A0638
3/8"	1/2" NPT	C242A0648
1/2"	1/4" NPT	C242A0728
1/2"	3/8" NPT	C242A0738
1/2"	1/2" NPT	C242A0748


**Straight adapter
(female thread)**

O/D tube	Thread	Part number
5/32"	1/8" NPT	C24260218
5/32"	1/4" NPT	C24260228
5/32"	1/8" R	C02260418
5/32"	1/4" R	C02260428
3/16"	1/8" NPT	C24260318
3/16"	1/4" NPT	C24260328
1/4"	1/8" NPT	C24260418
1/4"	1/4" NPT	C24260428
1/4"	3/8" NPT	C24260438
5/16"	1/8" NPT	C24260518
5/16"	1/4" NPT	C24260528
5/16"	3/8" NPT	C24260538
5/16"	1/2" NPT	C24260548
5/16"	1/8" R	C02260818
5/16"	1/4" R	C02260828
3/8"	1/8" NPT	C24260618
3/8"	1/4" NPT	C24260628
3/8"	3/8" NPT	C24260638
3/8"	1/2" NPT	C24260648
1/2"	1/4" NPT	C24260728
1/2"	3/8" NPT	C24260738



Female bulkhead

O/D tube	Thread	Part number
5/32"	1/8" NPT	C24320218
1/4"	1/8" NPT	C24320418
1/4"	1/4" NPT	C24320428
5/16"	1/8" NPT	C24320518
5/16"	1/4" NPT	C24320528
5/16"	3/8" NPT	C24320538
3/8"	1/4" NPT	C24320628
3/8"	3/8" NPT	C24320638
1/2"	1/4" NPT	C24320728
1/2"	3/8" NPT	C24320738
1/2"	1/2" NPT	C24320748



90° Swivel elbow adapter (extended)

O/D tube	Thread	Part number
5/32"	10-32 UNF	C24540210
5/32"	1/8" NPT	C24540218
5/32"	1/4" NPT	C24540228
5/32"	1/8" R	C01540418
3/16"	1/8" NPT	C24540318
3/16"	1/4" NPT	C24540328
3/16"	3/8" NPT	C24540338
1/4"	10-32 UNF	C24540410
1/4"	1/8" NPT	C24540418
1/4"	1/4" NPT	C24540428
1/4"	3/8" NPT	C24540438
5/16"	1/8" NPT	C24540518
5/16"	1/4" NPT	C24540528
5/16"	3/8" NPT	C24540538
5/16"	1/8" R	C01540818
5/16"	1/4" R	C01540828
3/8"	1/8" NPT	C24540618
3/8"	1/4" NPT	C24540628
3/8"	3/8" NPT	C24540638
3/8"	1/2" NPT	C24540648
1/2"	1/4" NPT	C24540728
1/2"	3/8" NPT	C24540738
1/2"	1/2" NPT	C24540748



90° Swivel elbow

O/D tube	Thread	Part number
5/32"	10-32 UNF	C24470210
5/32"	1/8" NPT	C24470218
5/32"	1/4" NPT	C24470228
5/32"	1/8" R	C01470418
5/32"	1/4" R	C01470428
5/32"	3/8" R	C01470438
3/16"	10-32 UNF	C24470310
3/16"	1/8" NPT	C24470318
3/16"	1/4" NPT	C24470328
3/16"	3/8" NPT	C24470338
1/4"	10-32 UNF	C24470410
1/4"	1/8" NPT	C24470418
1/4"	1/4" NPT	C24470428
1/4"	3/8" NPT	C24470438
1/4"	1/8" R	C21470418
1/4"	1/4" R	C21470428
1/4"	3/8" R	C21470438
5/16"	1/8" NPT	C24470518
5/16"	1/4" NPT	C24470528
5/16"	3/8" NPT	C24470538
5/16"	1/2" NPT	C24470548
5/16"	1/8" R	C01470818
5/16"	1/4" R	C01470828
5/16"	3/8" R	C01470838
5/16"	1/2" R	C01470848
1/2"	1/2" R	C21470748
3/8"	1/8" NPT	C24470618
3/8"	1/4" NPT	C24470628
3/8"	3/8" NPT	C24470638
3/8"	1/2" NPT	C24470648
3/8"	1/4" R	C21470628
3/8"	3/8" R	C21470638
3/8"	1/2" R	C21470648
1/2"	1/4" NPT	C24470728
1/2"	3/8" NPT	C24470738
1/2"	1/2" NPT	C24470748
1/2"	1/4" R	C21470728
1/2"	3/8" R	C21470738



90° Swivel elbow adapter (female)

O/D tube	Thread	Part number
5/32"	10-32 UNF	C24480210
5/32"	1/8" NPT	C24480218
5/32"	1/4" NPT	C24480228
3/16"	10-32 UNF	C24480310
3/16"	1/8" NPT	C24480318
3/16"	1/4" NPT	C24480328
1/4"	10-32 UNF	C24480410
1/4"	1/8" NPT	C24480418
1/4"	1/4" NPT	C24480428
1/4"	3/8" NPT	C24480438
5/16"	1/8" NPT	C24480518
5/16"	1/4" NPT	C24480528
5/16"	3/8" NPT	C24480538
3/8"	1/4" NPT	C24480628
3/8"	3/8" NPT	C24480628
3/8"	1/2" NPT	C24480648
1/2"	3/8" NPT	C24480738
1/2"	1/2" NPT	C24480748



45° Swivel elbow adapter

O/D tube	Thread	Part number
1/4"	1/8" NPT	C24570418
1/4"	1/4" NPT	C24570428


Swivel Y adapter

O/D tube	Thread	Part number
5/32"	10-32 UNF	C24880210
5/32"	1/8" NPT	C24880218
5/32"	1/4" NPT	C24880228
3/16"	10-32 UNF	C24880310
3/16"	1/8" NPT	C24880318
3/16"	1/4" NPT	C24880328
3/16"	3/8" NPT	C24880338
1/4"	10-32 UNF	C24880410
1/4"	1/8" NPT	C24880418
1/4"	1/4" NPT	C24880428
1/4"	3/8" NPT	C24880438
5/16"	1/8" NPT	C24880518
5/16"	1/4" NPT	C24880528
5/16"	3/8" NPT	C24880538
5/16"	1/2" NPT	C24880548
3/8"	1/8" NPT	C24880618
3/8"	1/4" NPT	C24880628
3/8"	3/8" NPT	C24880638
3/8"	1/2" NPT	C24880648
1/2"	1/4" NPT	C24880728
1/2"	3/8" NPT	C24880738
1/2"	1/2" NPT	C24880748


Swivel tee adapter

O/D tube	Thread	Part number
5/32"	10-32 UNF	C24670210
5/32"	1/8" NPT	C24670218
5/32"	1/4" NPT	C24670228
5/32"	1/8" R	C01670418
5/32"	1/4" R	C01670428
3/16"	10-32 UNF	C24670310
3/16"	1/8" NPT	C24670318
3/16"	1/4" NPT	C24670328
3/16"	3/8" NPT	C24670338
1/4"	10-32 UNF	C24670410
1/4"	1/8" NPT	C24670418
1/4"	1/4" NPT	C24670428
1/4"	3/8" NPT	C24670438
5/16"	1/8" NPT	C24670518
5/16"	1/4" NPT	C24670528
5/16"	3/8" NPT	C24670538
5/16"	1/2" NPT	C24670548
5/16"	1/8" R	C01670818
5/16"	1/4" R	C01670828
5/16"	3/8" R	C01670838
3/8"	1/8" NPT	C24670618
3/8"	1/4" NPT	C24670628
3/8"	3/8" NPT	C24670638
3/8"	1/2" NPT	C24670648
1/2"	1/4" NPT	C24670728
1/2"	3/8" NPT	C24670738
1/2"	1/2" NPT	C24670748



Swivel side tee adapter

O/D tube	Thread	Part number
5/32"	10-32 UNF	C24680210
5/32"	1/8" NPT	C24680218
5/32"	1/4" NPT	C24680228
5/32"	1/8" R	C01680418
5/32"	1/4" R	C01680428
3/16"	10-32 UNF	C24680310
3/16"	1/8" NPT	C24680318
3/16"	1/4" NPT	C24680328
3/16"	3/8" NPT	C24680338
1/4"	10-32 UNF	C24680410
1/4"	1/8" NPT	C24680418
1/4"	1/4" NPT	C24680428
1/4"	3/8" NPT	C24680438
5/16"	1/8" NPT	C24680518
5/16"	1/4" NPT	C24680528
5/16"	3/8" NPT	C24680538
5/16"	1/2" NPT	C24680548
5/16"	1/8" R	C01680818
5/16"	1/4" R	C01680828
3/8"	1/8" NPT	C24680618
3/8"	1/4" NPT	C24680628
3/8"	3/8" NPT	C24680638
3/8"	1/2" NPT	C24680648
3/8"	1/4" R	C21680628
1/2"	1/4" NPT	C24680728
1/2"	3/8" NPT	C24680738
1/2"	1/2" NPT	C24680748



Banjo

O/D tube	Thread	Part number
5/32"	10-32 UNF	C2R510210
5/32"	1/8" NPT	C2R510218
1/4"	10-32 UNF	C2R510410
1/4"	1/8" NPT	C2R510418
1/4"	1/4" NPT	C2R510428
5/16"	1/8" NPT	C2R510518
5/16"	1/4" NPT	C2R510528
3/8"	1/4" NPT	C2R510628
3/8"	3/8" NPT	C2R510638
3/8"	1/2" NPT	C2R510648
1/2"	3/8" NPT	C2R510738
1/2"	1/2" NPT	C2R510748



Banjo with top port

O/D tube	Thread	Part number
5/32"	1/8" NPT	C2E510218
1/4"	10-32 UNF	C2D510410
1/4"	1/8" NPT	C2E510418
1/4"	1/4" NPT	C2F510428
5/16"	1/4" NPT	C2F510528
3/8"	1/4" NPT	C2F510628
3/8"	3/8" NPT	C2G510638
1/2"	3/8" NPT	C2G510738



Swivel tee adapter

O/D tube	Thread	Part number
5/32"	1/8" NPT	C246C0218
3/16"	1/8" NPT	C246C0318
3/16"	1/4" NPT	C246C0328
1/4"	1/8" NPT	C246C0418
1/4"	1/4" NPT	C246C0428
5/16"	1/8" NPT	C246C0518
5/16"	1/4" NPT	C246C0528
5/16"	3/8" NPT	C246C0538
3/8"	1/4" NPT	C246C0628
3/8"	3/8" NPT	C246C0638
1/2"	3/8" NPT	C246C0738
1/2"	1/2" NPT	C246C0748



Banjo flow control (regulating out)

O/D tube	Thread	Part number
5/32"	10-32 UNF	C2VA00210
5/32"	1/8" NPT	C2VA00218
5/32"	1/4" NPT	C2VA00228
5/32"	M5	C0K510405
5/32"	1/8"R	C0TA00418
5/32"	1/4"R	C0TA00428
3/16"	10-32 UNF	C2VA00310
3/16"	1/8" NPT	C2VA00318
3/16"	1/4" NPT	C2VA00328
3/16"	3/8" NPT	C2VA00338
1/8"	10-32 UNF	C2VA00110
1/4"	10-32 UNF	C2VA00410
1/4"	1/8" NPT	C2VA00418
1/4"	1/4" NPT	C2VA00428
1/4"	3/8" NPT	C2VA00438
1/4"	M5	C2VA00405
1/4"	1/8"R	C2TA00418
1/4"	1/4"R	C2TA00428
5/16"	1/8" NPT	C2VA00518
5/16"	1/4" NPT	C2VA00528
5/16"	3/8" NPT	C2VA00538
5/16"	1/2" NPT	C2VA00548
5/16"	1/8"R	C0TA00818
5/16"	1/4"R	C0TA00828
5/16"	3/8"R	C0TA00838
3/8"	1/4" NPT	C2VA00628
3/8"	3/8" NPT	C2VA00638
3/8"	1/2" NPT	C2VA00648
3/8"	1/4"R	C2TA00628
1/2"	3/8" NPT	C2VA00738
1/2"	1/2" NPT	C2VA00748



**Shrouded banjo flow control
(regulating out)**

O/D tube	Thread	Part number
5/32"	10-32 UNF	C2VB00210
1/4"	10-32 UNF	C2VB00410
1/4"	1/8" NPT	C2VB00418
1/4"	1/4" NPT	C2VB00428
3/8"	3/8" NPT	C2VB00638


Plug

O/D tube	Part number
5/32"	C00040400
3/16"	C20040300
1/4"	C20040400
5/16"	C00040800
3/8"	C20040600
1/2"	C20040700


In line flow control

O/D tube	Part number
5/32"	C20GE0200
3/16"	C20GE0300
1/4"	C20GE0400
5/16"	C20GE0500
3/8"	C20GE0600
1/2"	C20GE0700


Cap

O/D tube	Part number
5/32"	C20120200
3/16"	C20120300
1/4"	C20120400
5/16"	C20120500
3/8"	C20120600
1/2"	C20120700


Straight union

O/D tube	Part number
5/32"	C20200200
3/16"	C20200300
1/4"	C20200400
5/16"	C20200500
3/8"	C20200600
1/2"	C20200700


Union elbow

O/D tube	Part number
5/32"	C20400200
3/16"	C20400300
1/4"	C20400400
5/16"	C20400500
3/8"	C20400600
1/2"	C20400700


Bulkhead union

O/D tube	Part number
5/32"	C20290200
3/16"	C20290300
1/4"	C20290400
5/16"	C20290500
3/8"	C20290600
1/2"	C20290700


Stem elbow

O/D tube	Part number
5/32"	C20430200
3/16"	C20430300
1/4"	C20430400
5/16"	C20430500
3/8"	C20430600
1/2"	C20430700


Stem union

O/D tube	Part number
5/32"	C20220200
3/16"	C20220300
1/4"	C20220400
5/16"	C20220500
3/8"	C20220600
1/2"	C20220700



Union tee

O/D tube	Part number
5/32"	C20600200
3/16"	C20600300
1/4"	C20600400
5/16"	C20600500
3/8"	C20600600
1/2"	C20600700



Stem Y

O/D tube	Part number
5/32"	C20840202
3/16"	C20840300
1/4"	C20840404
5/16"	C20840505
3/8"	C20840600
1/2"	C20840700



Stem tee

O/D tube	Part number
5/32"	C20630200
3/16"	C20630300
1/4"	C20630400
5/16"	C20630500
3/8"	C20630600
1/2"	C20630700



Union cross

O/D tube	Part number
5/32"	C20900200
3/16"	C20900300
1/4"	C20900400
5/16"	C20900500
3/8"	C20900600
1/2"	C20900700



Stem side tee

O/D tube	Part number
5/32"	C20640200
3/16"	C20640300
1/4"	C20640400
5/16"	C20640500
3/8"	C20640600
1/2"	C20640700



Straight union (unequal)

O/D tube	Part number
3/16" - 5/32"	C20200302
1/4" - 5/32"	C20200402
1/4" - 3/16"	C20200403
5/16" - 1/4"	C20200504
3/8" - 1/4"	C20200604
3/8" - 5/16"	C20200605
1/2" - 3/8"	C20200706



Union Y

O/D tube	Part number
5/32"	C20820200
3/16"	C20820300
1/4"	C20820400
5/16"	C20820500
3/8"	C20820600
1/2"	C20820700



Stem Reducer (stem/tube)

O/D tube	Part number
1/4" - 5/32"	C20230402
5/16" - 1/4"	C20230504
3/8" - 1/4"	C20230604
3/8" - 5/16"	C20230605
1/2" - 1/4"	C20230704
1/2" - 3/8"	C20230706



Stem Expander (stem/tube)

O/D tube	Part number
5/32" - 5/16"	C20230502
5/32" - 3/8"	C20230602

Stem Union (unequal)

O/D tube	Part number
3/16" - 5/32"	C20220302
1/4" - 5/32"	C20220402
1/4" - 3/16"	C20220403
5/16" - 1/4"	C20220504
3/8" - 1/4"	C20220604
3/8" - 5/16"	C20220605
1/2" - 3/8"	C20220706


Union Tee (unequal)

O/D tube	Part number
1/4" - 5/32"	C206A0402
5/16" - 1/4"	C206A0504
3/8" - 1/4"	C206A0604
3/8" - 5/16"	C206A0605
1/2" - 1/4"	C206A0704
1/2" - 3/8"	C206A0706


Stem Side Tee (unequal)

O/D tube	Part number
1/4" - 5/32"	C20640402
5/16" - 1/4"	C20640504
3/8" - 1/4"	C20640604
1/2" - 1/4"	C20640605


Union Y (unequal)

O/D tube	Part number
3/16" - 5/32"	C20820302
1/4" - 5/32"	C20820402
1/4" - 3/16"	C20820403
5/16" - 1/4"	C20820504
3/8" - 1/4"	C20820604
3/8" - 5/16"	C20820605
1/2" - 3/8"	C20820706


Stem Y (unequal)

O/D tube	Part number
1/4" - 5/32"	C20840402
5/16" - 1/4"	C20840504
3/8" - 1/4"	C20840604
3/8" - 5/16"	C20840605



**Straight adapter
(external + internal hex)**

O/D tube	Thread	Part number
1/8"	M3	M22250103
1/8"	M5	M22250105
1/8"	M6	M22250106
1/8"	10-32 UNF	M24250110
1/8"	1/16" NPT	M24250116
1/8"	1/8" NPT	M24250118
1/8"	1/4" NPT	M24250128
5/32"	M3	M02250403
5/32"	M5	M02250405
5/32"	M6	M02250406
5/32"	10-32 UNF	M24250210
5/32"	1/16" NPT	M24250216
5/32"	1/8" NPT	M24250218
5/32"	1/8" R	M01250418
1/4"	M5	M22250405
1/4"	M6	M22250406
1/4"	10-32 UNF	M24250410
1/4"	1/16" NPT	M24250416
1/4"	1/8" NPT	M24250418



90° Swivel Elbow Adapter

O/D tube	Thread	Part number
1/8"	M3	M22470103
1/8"	M6	M22470106
1/8"	10-32 UNF	M24470110
1/8"	1/16" NPT	M24470116
1/8"	1/8" NPT	M24470118
1/8"	1/4" NPT	M24470128
5/32"	M3	M02470403
5/32"	M5	M02470405
5/32"	M6	M02470406
5/32"	10-32 UNF	M24470210
5/32"	1/16" NPT	M24470216
5/32"	1/8" NPT	M24470218
5/32"	1/8" R	M01470418
1/4"	M5	M22470405
1/4"	M6	M22470406
1/4"	10-32 UNF	M24470410
1/4"	1/16" NPT	M24470416
1/4"	1/8" NPT	M24470418



**Straight adapter
(internal hex only)**

O/D tube	Thread	Part number
1/8"	M3	M222A0103
1/8"	M5	M222A0105
1/8"	M6	M222A0106
1/8"	10-32 UNF	M242A0110
1/8"	1/16" NPT	M242A0116
1/8"	1/8" NPT	M242A0118
5/32"	M3	M022A0403
5/32"	M5	M022A0405
5/32"	M6	M022A0406
5/32"	10-32 UNF	M242A0210
5/32"	1/16" NPT	M242A0216
5/32"	1/8" NPT	M242A0218
1/4"	10-32 UNF	M242A0410
1/4"	1/16" NPT	M242A0416
1/4"	1/8" NPT	M242A0418



Swivel Tee Adapter

O/D tube	Thread	Part number
1/8"	10-32 UNF	M24670110
1/8"	1/6" NPT	M24670116
1/8"	1/8" NPT	M24670118
5/32"	10-32 UNF	M24670210
5/32"	1/16" NPT	M24670216
5/32"	1/8" NPT	M24670218
1/4"	10-32 UNF	M24670410
1/4"	1/16" NPT	M24670416
1/4"	1/8" NPT	M24670418



**Straight adapter
(female thread)**

O/D tube	Thread	Part number
1/8"	M5	M22260105
1/8"	10-32 UNF	M24260110
1/8"	1/16" NPT	M24260116
1/8"	1/8" NPT	M24260118
1/8"	1/4" NPT	M24260128
5/32"	10-32 UNF	M24260210
5/32"	1/16" NPT	M24260216



Swivel Side Tee Adapter

O/D tube	Thread	Part number
1/8"	10-32 UNF	M24680110
1/8"	1/16" NPT	M24680116
1/8"	1/8" NPT	M24680118
5/32"	10-32 UNF	M24680210
5/32"	1/16" NPT	M24680216
5/32"	1/8" NPT	M24680218
1/4"	10-32 UNF	M24680410
1/4"	1/16" NPT	M24680416
1/4"	1/8" NPT	M24680418



Straight Union

O/D tube	Part number
1/8"	M20200100
5/32"	M20200200
1/4"	M20200400



Union Elbow

O/D tube	Part number
1/8"	M20400100
5/32"	M20400200
1/4"	M20400400



Union Tee

O/D tube	Part number
1/8"	M20600100
5/32"	M20600200
1/4"	M20600400



Straight Union (unequal)

O/D tube	Part number
5/32"-1/8"	M20200201
1/4"-1/8"	M20200401
1/4"-5/32"	M20200402



Stem Reducer (stem/tube)

O/D tube	Part number
5/32" to 1/8"	C20230201
1/4" to 1/8"	C20230401



Stem Expander (stem/tube)

O/D tube	Part number
1/8" to 1/4"	C20230104
5/32" to 1/4"	C20230204



Banjo Flow Control

O/D tube	Thread	Part number
1/8"	10-32 UNF	C2VA00110 regulating out
1/8"	10-32 UNF	C2WA00110 regulating out



Pneufit® C Manifolds

Male Manifold

Tube	Thread	Part number
5/16"-5/32"	1/4" NPT	C24D30228
5/16"-1/4"	1/4" NPT	C24D30428
3/8"-1/4"	3/8" NPT	C24D30438



Manifold Union

Tube	Part number
1/4" - 5/32"	C20D30402
3/8" - 1/4"	C20D30604



Stem Manifold

Tube	Part number
1/4" - 5/32"	C20J30402
3/8" - 1/4"	C20J30604



3/2 Shut off valves

Thread to thread

NPT thread to thread	Part number
1/8"	C24GG1818
1/4"	C24GG2828
3/8"	C24GG3838
1/2"	C24GG4848



Tube to tube

Tube to tube	Part number
1/4"	C20GF0400
5/16"	C20GF0500
3/8"	C20GF0600
1/2"	C20GF0700



Tube to thread

Inlet tube O/D	Outlet NPT thread	Part number
1/4"	1/8"	C24GH0418
1/4"	1/4"	C24GH0428
1/4"	3/8"	C24GH0438
3/8"	1/4"	C24GH0628
3/8"	3/8"	C24GH0638
1/2"	3/8"	C24GH0738



Thread to tube

Inlet NPT thread	Outlet tube O/D	Part number
1/8"	1/4"	C24GJ0418
1/4"	1/4"	C24GJ0428
1/4"	3/8"	C24GJ0628
3/8"	1/4"	C24GJ0438
3/8"	3/8"	C24GJ0638
1/2"	1/2"	C24GJ0748

