

Diaphragm Air Pump



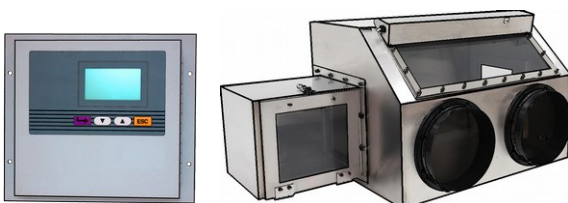
Feature

- Vacuum Pump and Compressor – Usable for gas, unsaturated gaseous and liquid.
- Long life – Designed with stress levels below defined endurance limits of materials allowing for an infinite number of cycles.
- Hermetically Sealed – Assures the lowest leak-rate.
- Stainless Steel – All wetted surfaces made from corrosion resistant 300 Series stainless steel except for valve and diaphragm which are either Teflon(PTFE) or Viton(FKM).
- User-Friendly Port Connection – Standard tube fitting, compression fitting, etc. available.
- Compact Design – Enable to “build-in” in a limited space or inside components.

Application

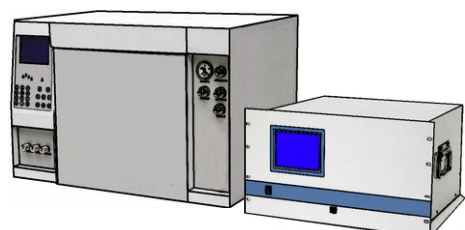
Gas Analytical Sampling

Oxygen Analyzer, Glove Box, etc.



Gas Monitoring

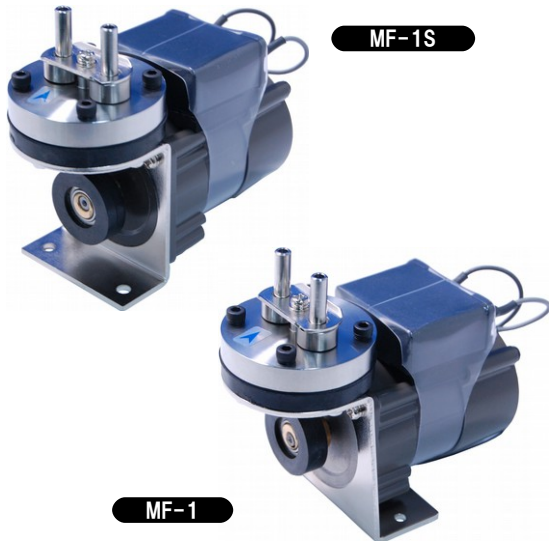
Gas Chromatography, Ozone Monitor, Exhaust Gas Analysis, etc.



Diaphragm Air Pump MF-1S, MF-1

IBS Inc.

Standard Mount
AC Motor
Z-Type Mount



Specification MF-1S, MF-1

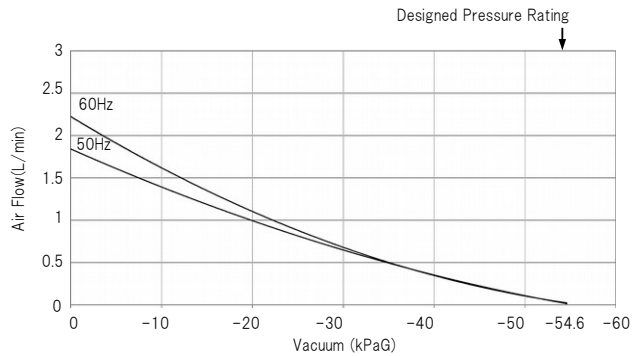
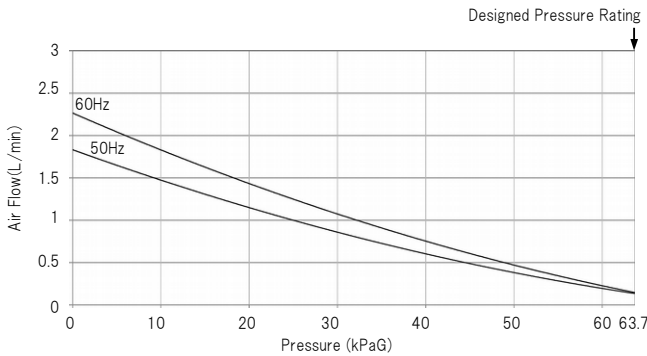
| | |
|-----------------------|-----------------------------|
| Max. Flowrate | 1.8L/min (@50Hz) |
| Max. Vacuum | -54.6kPaG |
| Max. Pressure | 63.7kPaG |
| Operating Temperature | 0°C~40°C |
| Operating Environment | Clean Air (R.H.85%) |
| Motor Power Supply | AC100V 50/60Hz |
| Rated Current | 100mA(50Hz)/90mA(60Hz) |
| Operation Speed | 2900RPM(50Hz)/3100RPM(60Hz) |
| Rated Power | 3W |
| Weight (Targetted) | MF-1S: 480g / MF-1: 510g |

<Wetted Surface Material>

| | |
|-------------------|----------------------------------|
| Pump Head | 304s.s. |
| Inlet/Outlet Tube | 304s.s. ϕ 4.8mm(Standard)※1 |
| Diaphragm | FKM or FKM+PTFE(Standard)※2 |
| Valve | FKM or PTFE |
| O-ring | FKM |

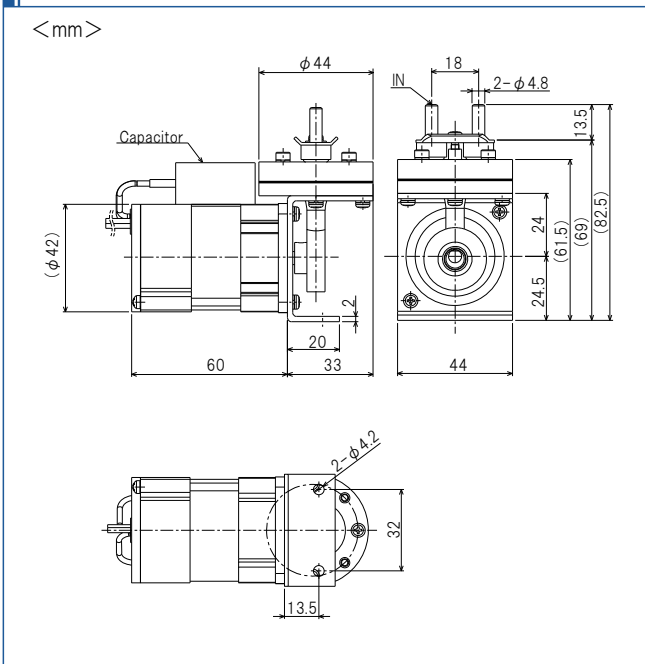
※1. For other sizes and materials, please contact us.
 ※2. Available upto 2 ply of PTFE Diaphragm.

Performance MF-1S, MF-1

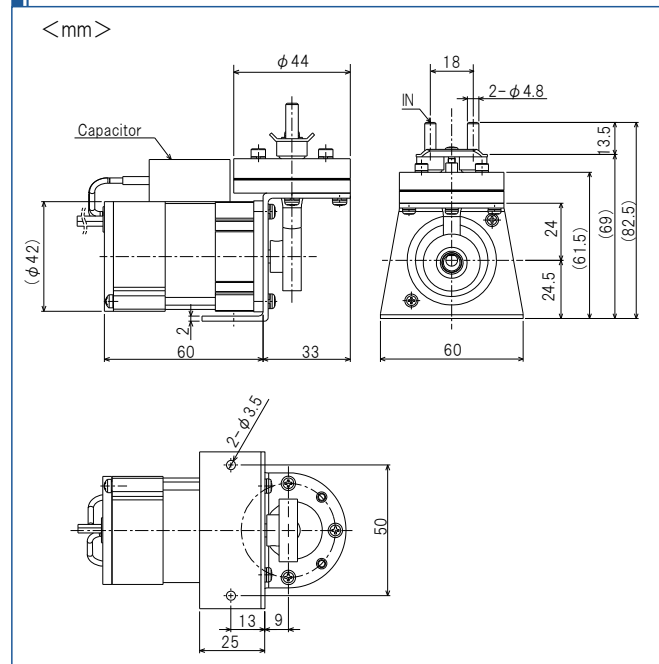


※Pump must be operated under standard atmospheric pressure. (not pressurized nor in a vacuum)

Dimension MF-1S



Dimension MF-1



2015.3 Rev.1 <IBS>

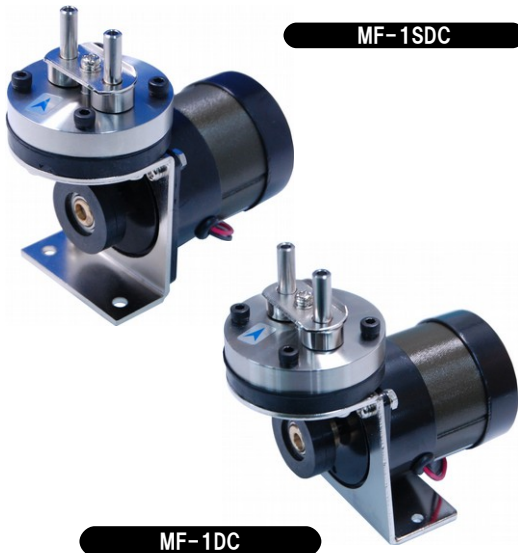


Network: OSAKA TOKYO FUKUOKA AICHI SHANGHAI(CHINA) DAEJEON(KOREA) ARIZONA(USA) HO CHI MINH(VIETNAM)
 TAIPEI(TAIWAN) KOWLOON(HONG KONG) BANGKOK(THAILAND) KOTA(INDIA)
 Head Office: Minamishinmachi EXCEL Bldg. 1-3-10 Minamishinmachi, Chuo-ku, Osaka, 540-0024 Japan
 TEL : +81-6-6944-1313 FAX: +81-6-6944-1323
 Tokyo Office: Tsukiyasu No.2 Bldg. 3F 5-32-10, Higashinippori, Arakawa-ku, Tokyo, 116-0014 Japan
 TEL : +81-3-5615-0234 FAX: +81-3-5615-0235
 Web site: <http://www.ask-ibs.jp/> E-mail: info@ask-ibs.jp

Diaphragm Air Pump MF-1SDC, MF-1DC

IBS Inc.

Standard Mount
DC Motor
Z-Type Mount



Specification

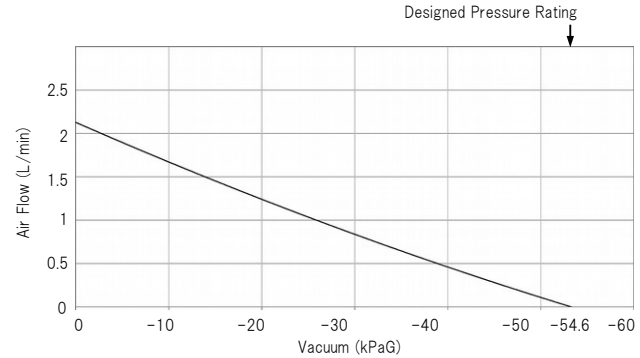
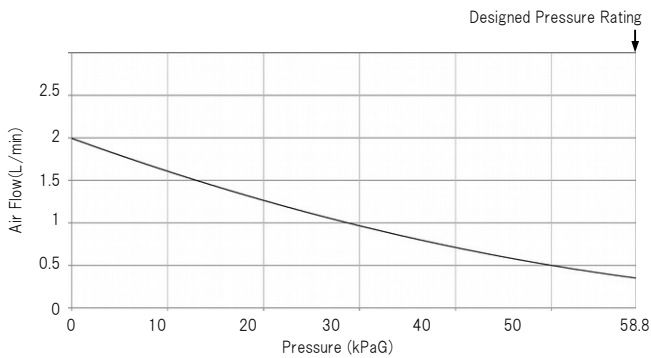
| | |
|-----------------------|--------------------------------|
| Max. Flowrate | 2.0L/min |
| Max. Vacuum | -54.6kPaG |
| Max. Pressure | 58.8kPaG |
| Operating Temperature | 0°C~40°C |
| Operating Environment | Clean Air (R.H.85%) |
| Motor Power Supply | DC12V/DC24V(Option) |
| Rated Current | 270mA/120mA(DC24V) |
| Operation Speed | 3000RPM |
| Rated Power | 3W |
| Weight (Targetted) | MF-1SDC : 370g / MF-1DC : 400g |

<Wetted surface material>

| | |
|-------------------|-----------------------------------|
| Pump Head | 304s.s. |
| Inlet/Outlet Tube | 304s.s. ϕ 4.8mm(Standard) ※1 |
| Diaphragm | FKM or FKM+PTFE(Standard) ※2 |
| Valve | FKM or PTFE |
| O-ring | FKM |

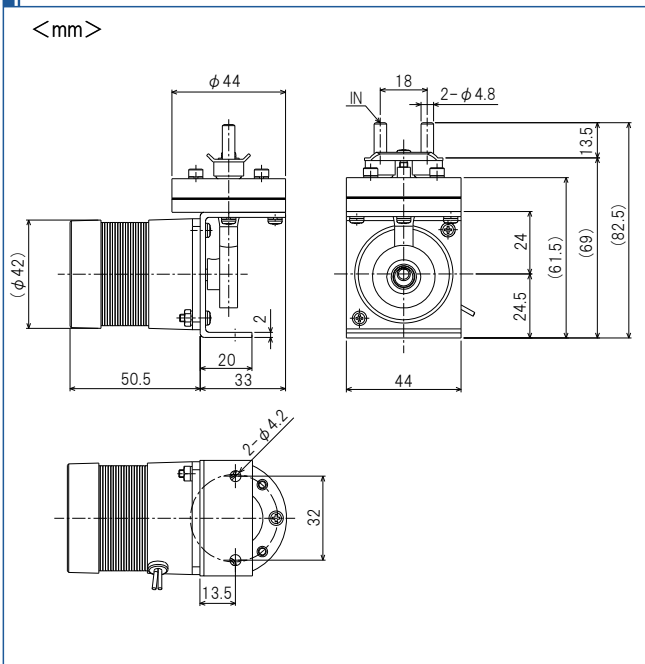
※1. For other sizes and materials, please contact us.
 ※2. Available upto 2 ply of PTFE Diaphragm.

Performance

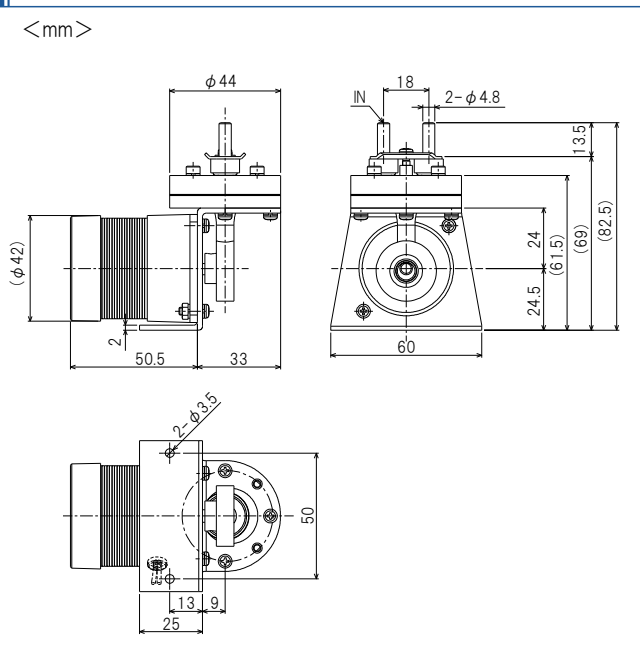


※Pump must be operated under standard atomasfc pressure. (not pressurized nor in a vaccum)

Dimension MF-1SDC



Dimension MF-1DC



2015.3 Rev.1 <IBS>

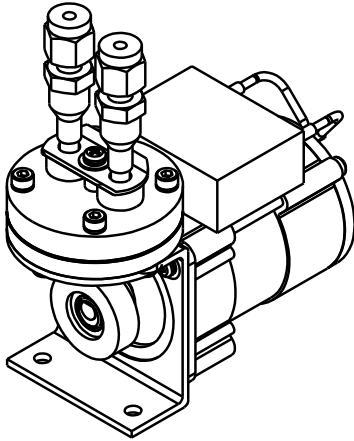


Network: OSAKA TOKYO FUKUOKA AICHI SHANGHAI(CHINA) DAEJEON(KOREA) ARIZONA(USA) HO CHI MINH(VIETNAM)
 TAIPEI(TAIWAN) KOWLOON(HONG KONG) BANGKOK(THAILAND) KOTA(INDIA)
 Head Office: Minamishinmachi EXCEL Bldg. 1-3-10 Minamishinmachi, Chuo-ku, Osaka, 540-0024 Japan
 TEL : +81-6-6944-1313 FAX: +81-6-6944-1323
 Tokyo Office: Tsukiyasu No.2 Bldg. 3F 5-32-10, Higashinippori, Arakawa-ku, Tokyo, 116-0014 Japan
 TEL : +81-3-5615-0234 FAX: +81-3-5615-0235
 Web site: <http://www.ask-ibs.jp/> E-mail: info@ask-ibs.jp

Application

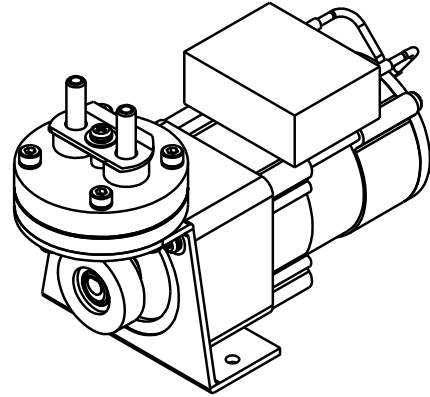
■ Compression Fitting and others

Compression Fitting and other special fitting type or sizes are available.



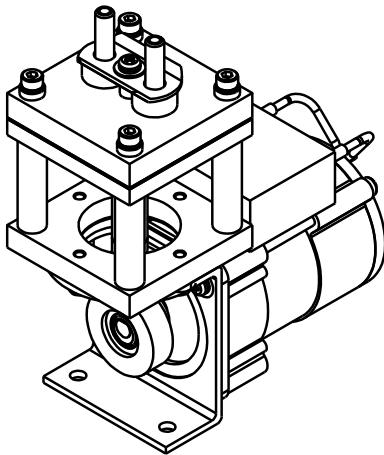
■ Liquid

Possible use for liquid transfer by using a gear motor which provides decreased rotation speed and increased torque.



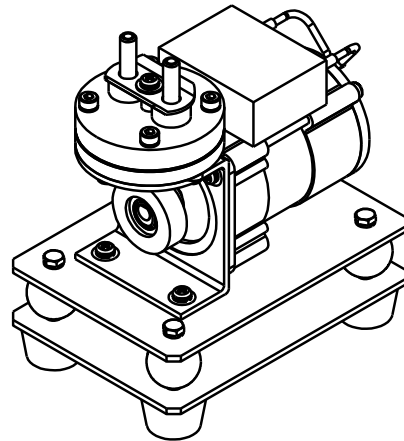
■ High Temperature

Elongated driver and pump head enables use for High Temperature Gas Transfer.



■ Vibration Resistance

Shock Absorbing Rubber underneath pump prevents transfer of vibrations into systems.



For larger flow, higher pressure and special solution, please contact us.

IBS is committed to the concept that by workin as team we can find the best possible solution.



Network:
OSAKA TOKYO FUKUOKA AICHI SHANGHAI(CHINA) DAEJEON(KOREA) ARIZONA(USA)
HO CHI MINH(VIETNAM) TAIPEI(TAIWAN) KOWLOON(HONG KONG) BANGKOK(THAILAND)
KOTA(INDIA)

■ Head Office

Minamishinmachi EXCEL Bldg. 1-3-10 Minamishinmachi,
Chuo-ku, Osaka, 540-0024 Japan
TEL : +81-6-6944-1313 FAX: +81-6-6944-1323

■ Tokyo Office

Tsukiyasu No.2 Bldg. 3F 5-32-10, Higashinippori, Arakawa-ku,
Tokyo, 116-0014 Japan
TEL : +81-3-5615-0234 FAX: +81-3-5615-0235

<Distributor>