

SF52

Dew-Point Transmitter

The SF52 dew-point transmitter is a simple, cost effective sensor designed for use in harsh industrial dryer applications where reliability and toughness are required at an economical cost.

The SF52 is available with a choice of G1/2" and 1/2" NPT process connections and voltage or mA outputs. A key feature of the unit is the recessed and protected measuring element giving an extended sensor life cycle.

Our polymer based sensor is calibrated on a high volume traceable calibration system, providing OEM quantities of units on short deliveries, each with a 3 point calibration certificate.



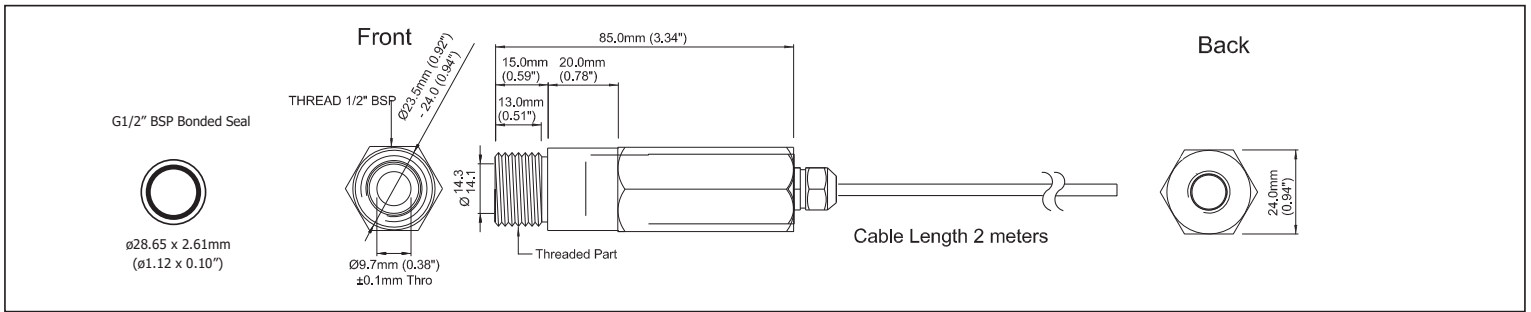
Highlights

- Ideal for OEM dryer use
- Dew-point measurement range -40 to +60°C (-40 to +140°F)
- Fast response
- Rugged IP65 construction
- 3-Point traceable calibration certificate
- Accuracy ±2°C (±3.6°F)
- Voltage or mA outputs

Technical Specifications

Performance									
Measurement range	-40 to +60°C (-40 to +140°F) dew point								
Accuracy	±2°C (±3.6°F) dew point								
Repeatability	0.5°C (0.9°F) dew point								
Accuracy (absolute humidity)	0.4 to 3g/m ³ on value of absolute humidity								
Stability	<1°C (<1.8°F) / year								
Calibration	Traceable 3-point calibration certificate								
Electrical Specifications									
Output signal	0 to 1, 0 to 5, 0 to 10 V or 4-20 mA (3-wire)								
Output	Dew point, absolute humidity								
Analog output scaled range	Standard -40 to +60°Cdp (-40 to +140°Fdp) -30 to +30°Cdp (-22 to +86°Fdp) 0 to 200 g/m ³ Non-standard available upon request								
Supply voltage	14 to 30 V DC (for 0 to 10 V output) 8 to 30 V DC (for 0 to 1 / 0 to 5 V / 4-20 mA output)								
Current consumption	V output <9 mA mA output <29 mA								
CE marked	Certified								
Operating Specifications									
Operating humidity	0-100% RH								
Operating temperature	-40 to +60°C (-40 to +140°F)								
Operating pressure	2 MPa (20 barg / 290 psig maximum)								
Thermal compensation	Characterized over operating range temperature								
Mechanical Specifications									
Ingress protection	IP66 in accordance with standard BS EN 60529:1992 NEMA 4 in protection accordance with standard NEMA 250-2003								
Housing material	Nickel-coated brass								
Dimensions	L=85mm, ø24mm (maximum)								
Filter	HDPE front filter								
Process connection	G1/2" BSP, 1/2" NPT								
Weight	320g (11.3oz)								
Cable	2m (6.6') of halogen-free TPE cable								
Diagnostic conditions (factory programmed)	<table border="0"> <tr> <td>Condition</td> <td>Output</td> </tr> <tr> <td>Sensor fault</td> <td>23 mA</td> </tr> <tr> <td>Under-range dew point</td> <td>4 mA</td> </tr> <tr> <td>Over-range dew point</td> <td>20 mA</td> </tr> </table>	Condition	Output	Sensor fault	23 mA	Under-range dew point	4 mA	Over-range dew point	20 mA
Condition	Output								
Sensor fault	23 mA								
Under-range dew point	4 mA								
Over-range dew point	20 mA								

Dimensions



Electrical Connections

4–20 mA connections 3-wire		Voltage connections 3-wire	
White	Power	White	Power
Green	Output mA	Green	Output voltage
Brown	Common ground	Brown	Common ground



IBS Machinex (Thailand) Co.,Ltd

101 Soi 7 Seri 7, Suanluang, Suanluang, Bangkok, Thailand
 TEL : +66 (0)2-300-5583

WEB : <http://ibs-mx.co.th/> www.ask-ibs.jp