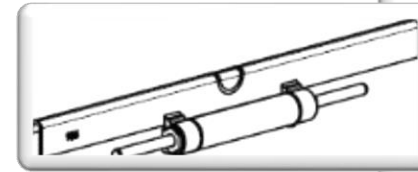
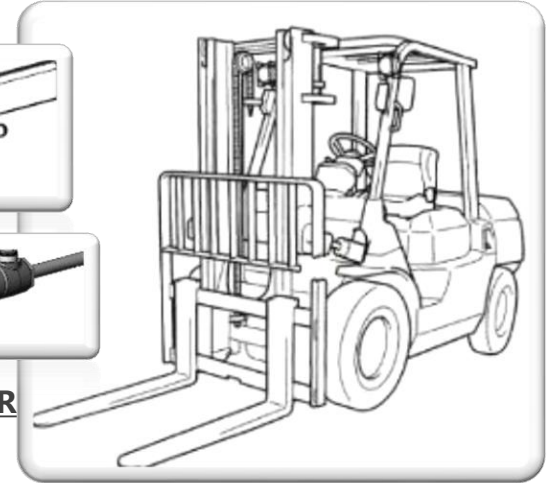


Front End Loaders and Forklift Trucks



SIDE SHIFT CYLINDER



FEL CYLINDERS



TILT CYLINDERS

Earth Moving Machines

Hydraulic cylinders to be used on:

- Skid-Steer Loaders
- Compact Track Loaders
- Mini Excavators
- Articulated loaders



Applications:

- Boom & Bucket Cylinders
- Side Shift Cylinders
- Compactors Cylinders
- Steering Cylinders



COMPACTOR CYLINDER



STEERING UNIT

STEERING CYLINDER

Cylinder Capability

Pressure	:	280bar
Acting	:	Single ▪ Double
Bore	:	30mm - 125mm
Stroke	:	10mm - 1,000mm
Oil temp.	:	-30 – 100°C (depend on seals)
Piston rod	:	Chrome plating

(CASS Rating Rp=9 or better, after 64hours)

- All Ognibene cylinders are customized. We will propose the best cylinder for your application!