

Aera

Aera[®] FC-R7800 Series

Mass Flow Controllers

Precise, reliable, metal-sealed design



Aera

Benefits

- ▶ Fast response— < 1 sec flow-settling time between set points
- ▶ Outstanding reliability
- ▶ Easy integration—standard connectors and dimensions
- ▶ Superior results—high-quality thin-film characteristics

Features

- ▶ Corrosion-resistant design
- ▶ Metal seals
- ▶ VCR[®], Swagelok[®] compatible connections
- ▶ Full-scale flow ranges from 10 sccm to 200 slm
- ▶ Normally-closed or normally-open solenoid control valve
- ▶ Leak integrity of 1×10^{-10} atm-cc/sec of He



Hitachi Metals Aera[®] FC-R7800 series delivers precise flow control, as well as the corrosion resistance and high leak integrity of metal seals, to suit the majority of gas-controlled applications.

Convenience-enhancing features, such as standard electrical connectors and standardized critical dimensions allow quick-and-easy replacement of existing mass flow controllers (MFCs).

Fast Response

Advances in the FC-R7800 series' technical design deliver enhanced operation compared to competing mass flow controllers. These advances include a highly sensitive, rapid-response, small-diameter sensor. Further, the FC-R7800 series' normally-open or normally-closed solenoid design supplies superior response times. These speed enhancements minimize over-shoot and under-shoot, and produce an actual-flow settling time of < 1 sec between set points. (Less than 3sec for FC-R7820CD,FC-R7820D).

Superior Reliability

High-quality electronic components and a robust, minimal-parts design stand up to the effects of strong RF fields and other operational demands, delivering outstanding long-term zero-drift stability — < 0.5% of full-scale flow over one year. With over 70,000 units delivered in FC78X FCR78X series MFCs, < 0.5% are returned within a year of shipment.

Easy Integration

Obtain the performance and reliability advantages of Aera MFCs by replacing other brands—with no installation hassles. Certain models feature standard electrical connectors and critical dimensions to easily fit existing systems.

Specifications

Operational	FC-R7800CD/FC-R7800D Series	FC-R7810CD/FC-R7810D Series	FC-R7820CD/FC-R7820D Series
Full-Scale Range	10 sccm to 5 slm	N/O: 6 to 20 slm* N/C: 6 to 50 slm**	35 to 200 slm
Response Time	< 1 sec to within $\pm 2\%$ of full scale		< 3 sec to within $\pm 2\%$ of full scale
Accuracy	$\leq \pm 1\%$ of full scale		$\leq \pm 2\%$ of full scale
Linearity	$\leq \pm 0.5\%$ of full scale	$\leq \pm 0.5\%$ of full scale** ¹	$\leq \pm 1\%$ of full scale
Repeatability	$\leq \pm 0.2\%$ of full scale		
Leak Integrity	1×10^{-10} atm-cc/sec (He) max; 1×10^{-11} Pa·m ³ /sec (He) max		
Control Range	2 to 100% of full scale** ²		
Differential Pressure	7 to 40 psiD	10 to 40 psiD 14 to 40 psiD	21 to 40 psiD** ³
Normal Operating Pressure	70 psig		
Maximum Inlet Pressure	140 psig		
Temperature Range	5 to 45°C (41 to 113°F)		

* N/O: Normally Open Valve Model, ** N/C: Normally Closed Valve Model

**¹: Less than $\pm 1\%$ for Full Scale Flow greater than 30SLM

**²: 5~100% for Full Scale Flow greater than 150SLM

**³: 28~43 psiD for Full Scale Flow greater than 150SLM

Physical	FC-R7800CD/FC-R7800D Series	FC-R7810CD/FC-R7810D Series	FC-R7820CD/FC-R7820D Series
Control Valve Type	Normally-open or normally-closed solenoid		
Seals	Metal—316L		
Materials	Stainless-steel type 316(L), 316, PTFE, Magnetic Stainless(Fluoro Rubber, Chloroprene Rubber)		
Standard Fittings	1/4" VCR [®] and Swagelok [®] compatible		1/4" VCR [®] , 3/8" VCR [®]
Attitude Sensitivity	May be mounted in any position		Top Connector Position Recommended
Weight	1.0 kg (2.2 lb)	1.5 kg (3.3 lb)	2.27 kg (5.0 lb)

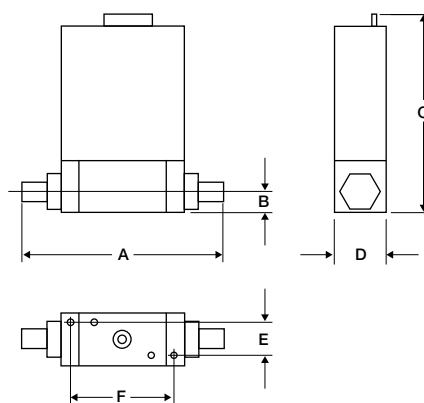
Electrical	FC-R7800CD/FC-R7800D Series	FC-R7810CD/FC-R7810D Series	FC-R7820CD/FC-R7820D Series
Input Power	+15 VDC $\pm 2\%$ at 25 mA -15 VDC $\pm 2\%$ at 180 mA		+15 VDC $\pm 2\%$ at 25 mA -15 VDC $\pm 2\%$ at 200 mA
Power Consumption	3.1 W max		3.5 W max
Command Signal	0 to 5 VDC		
Output Indication	0 to 5 VDC		

Model and Suffix Codes

Category	Description	Suffix Codes							
Product Type	Mass flow controller	FC-
RoHS Compliance	Compliant with RoHS directives	...	R
Full-Scale Range	10 sccm to 5 slm	7800
	6 to 50 slm	7810
	51 to 200 slm	7820
Control Valve	Normally-closed	C
	Normally-open	(Blank)
Connector	Aera® 9-Pin D	D
Fittings	1/4" VCR® compatible	4V
	3/8" VCR® compatible (782x series only)	6V
	1/4" Swagelok® compatible	4S
	3/8" Swagelok® compatible (782x series only)	6S
Gas	Type of gas	N ₂	...
Flow	Flow range of gas (sccm or slm)	200
Single-Gas Example		FC-	R	7800	C	D	4V	N ₂	200 sccm
(MFC, RoHS compliant, with 9-pin D connector, normally-closed valve, 1/4" VCR® fittings, N ₂ gas, 200 sccm full-scale range)									

Dimensions

	FC-R7800CD/ FC-R7800D Series	FC-R7810CD/ FC-R7810D Series	FC-R7820CD/ FC-R7820D Series
A	124.0 mm (4.88")		1/4" VCR® fittings: 183.8 mm (7.2")
			3/8" VCR® fittings: 192.3 mm (7.6")
B	12.7 mm (0.50")		15.0 mm (0.59")
C	132.0 mm (5.20")		152.0 mm (5.98")
D	28.6 mm (1.13")		38.0 mm (1.50")
E	18.6 mm (0.73")		25.5 mm (1.00")
F	69.0 mm (2.72")		90.0 mm (3.54")



Hitachi Metals, Ltd.

<http://www.hitachi-metals.co.jp>

Headquarters

SEAVANS North Bldg., 2-1, Shibaura 1-chome, Minato-ku, Tokyo 105-8614, Japan
Tel +81-3-5765-4000 Fax +81-3-5765-8311

Piping Components Company

Fine Flow Division

2971-8 Ishikawa-cho, Hachioji-shi, Tokyo 192-0032, Japan
Tel +81-42-645-8753 Fax +81-42-660-0320

Hitachi Metals America, Ltd.

San Jose Office

1920 Zanker Road, San Jose, California 95112, U.S.A.
Tel +1-408-467-8900 Fax +1-408-467-8901
E-mail : aerasales-USA@hitmet.com

Hitachi Metals Europe GmbH

Immermannstrasse 14-16, 40210 Duesseldorf, Germany
Tel +49-211-16009-0 Fax +49-211-16009-29
E-mail : aerasales-europe@hitachi-metals-europe.com

⚠ Safety Precaution

Before using any of the products introduced in this catalog, please read the respective user manuals thoroughly.

- Contents of this catalog is as of December 2011.
- The products and their specifications are subject to change without notice. Please check the latest catalog, technical documents or specifications before your final design, procurement or use of the products.
- Aera® are trademarks of Hitachi Metals Ltd..
- Swagelok® and VCR® are trademarks of Swagelok Company Corporation.

Hitachi Metals Ltd. Is not responsible for the following troubles and damages.

- Troubles or damages caused by natural disaster or inevitable accident, caused by mishandling, use or storage in an improper place, use out of the rated specifications and modification, factors contamination and clog due to use of corrosive gas and reactive gas.
- Any trouble or damage that is outside of Hitachi Metals Ltd.'s control has no responsibility (if it does not clarify where responsibility lies, warranty is to be determined whether or not it costs regardless of the warranty period after deliberation.)

The addresses and contact points listed in this catalog are as of December 2011. Because changes may occur, if the telephone or fax number you are trying to reach is not in service, please contact us at the following.

Hitachi Metals, Ltd. (Corporate Communications Office)
Tel +81-3-5765-4076 Fax +81-3-5765-8312
E-mail : hmcc@hitachi-metals.co.jp

